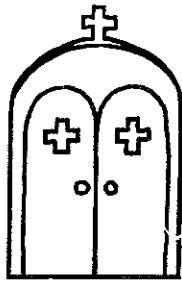


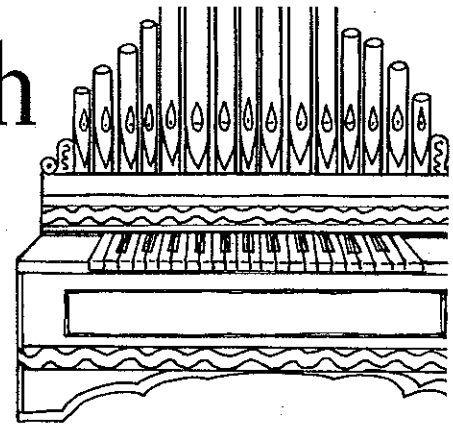
The Things We See in Church

Catholic churches contain many objects that play an important part in our worship or help increase our devotion. Eight of these objects appear on this page. Can you supply their names? Choose from the list below and write the name in the appropriate place. Then, try to decide what each object is used for or what it represents. Cut out the explanations and paste or tape them where they belong.

r. Grunder is a catechist and freelance writer in Dayton, OH.



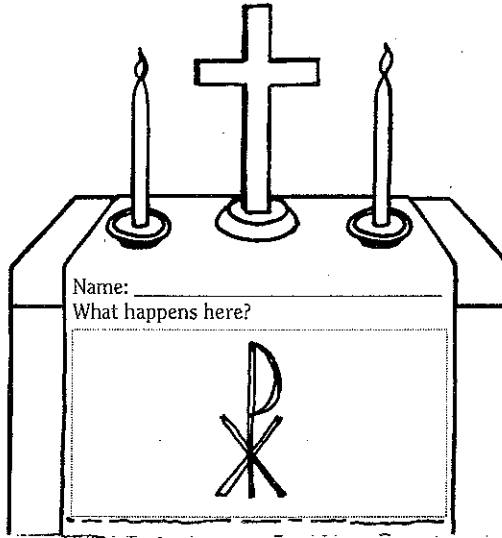
Name: _____
What is it for?



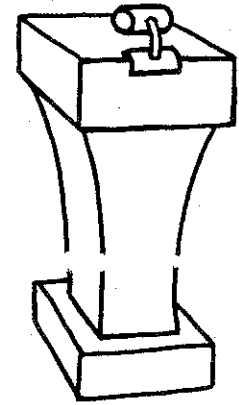
Name: _____
Who gathers here?



Name: _____
What does it stand for?

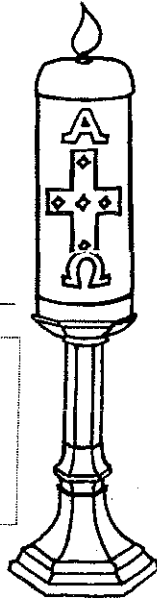


Name: _____
What happens here?

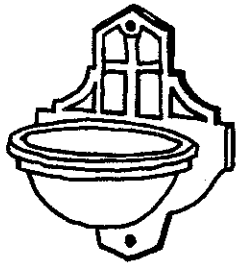


Name: _____
What is it for?

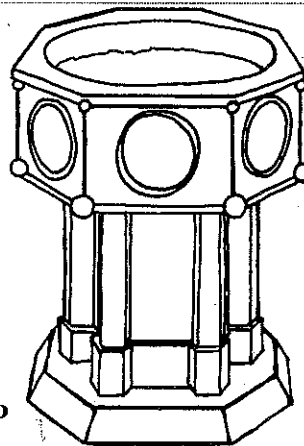
Name: _____
Whom does it stand for?



Name: _____
What happens here?



Name: _____
What is it for?



Choose names from this list:

- Tabernacle
- Paschal Candle
- Altar
- Lectern
- Organ
- Statue
- Baptismal Font
- Holy Water Font

CHOOSE EXPLANATIONS FROM THIS GROUP

<p>New members of the Church, including infants, are brought here to be baptized.</p>	<p>This is where the priest stands as he celebrates Mass with the community. Here he says the words of consecration that bring us together in the Body and Blood of Jesus.</p>	<p>These represent holy people who have gone ahead of us to be with God. We ask the people these statues represent to carry our prayers to God.</p>	<p>It is lit for the first time at the Easter Vigil as a sign of Jesus, the Light of the World. After the Easter season, it is lit for baptisms and funerals.</p>
<p>The choir gathers here to lead the community in singing. What other instruments are used in your church?</p>	<p>This is a podium used for reading Scripture, as well as for leading song, and making announcements.</p>	<p>When Catholics enter church, they dip their fingers into holy water and make the Sign of the Cross. These actions remind us of our baptism into God's family and the mystery of the Trinity.</p>	<p>This cabinet, which is often made of a precious metal, is where the Blessed Sacrament is kept.</p>