

## **Act of Contrition**

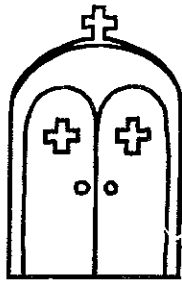
O my God, I am sorry for my sins. In choosing to sin, and failing to do good, I have sinned against You and Your Church. I firmly intend, with the help of Your Son, to make up for my sins and to love as I should. Amen.

1. What is a lector? (Reader)
2. What part of the mass does the priest talk to us and explains the readings? (Homily)
3. What takes place after the 1<sup>st</sup> reading, which is usually sung? (Responsorial Psalm)
4. What is the response to “Body of Christ”? (Amen)
5. What prayer begins the Communion Rite? (Our Father, Lord’s Prayer)
6. On what occasion did Jesus celebrate the first Mass with the apostles? (The Last Supper)
7. What does the word “Eucharist” mean? (Thanksgiving)
8. Which reading during the Liturgy of the Word is taken from Matthew, Mark, Luke or John? (Gospel)
9. During the Penitential Rite we do what? (Confess our Sins)
10. The gospel is read by whom? (The Priest)
11. The 1<sup>st</sup> readings are taken from what part of the bible? (Old Testament)
12. What readings are taken from the New Testament? (2<sup>nd</sup> reading)
13. When the bread and wine are carried to the altar this is called what? (Offertory)
14. The gospel are readings taken from where? (Good News)
15. During what prayer is the bread and wine changed into the body and blood of Christ? (Eucharistic Prayer)
16. To welcome the Gospel we stand and sing what? (Alleluia)
17. Another word for Eucharistic Celebration? (Mass)
18. During the profession of faith we pray what we believe in, this prayer is similar to the one we have said in class which is what? (The Apostle’s Creed)
19. We start the mass and end the mass with what? (The sign of the Cross)
20. We receive Jesus as food and drink in what? (Holy Communion)
21. What are the two main parts of mass? (Liturgy of the Word and Liturgy of the Eucharist)
22. What action do we do when we give the sign of peace? (Shake Hands)
23. What words do we say when we give the sign of peace? (Peace be with you)
24. When the gospel is being read what do we do? (sit)
25. When the Eucharistic Prayer is said what do we do? (Kneel)
26. When the 1<sup>st</sup> Reading, responsorial psalm and 2<sup>nd</sup> reading is read what do we do? (sit)
27. The members of the church are called what? (Congregation)
28. During the gathering we sing or say a hymn of praise called what? (Glory to God)
29. Before we enter in the pew or exit the pew what physical thing do we do? (Genuflect)

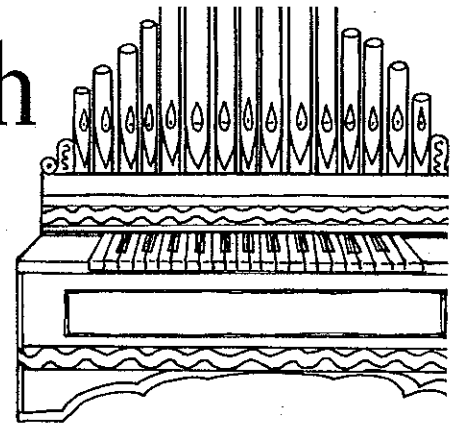
# The Things We See in Church

Catholic churches contain many objects that play an important part in our worship or help increase our devotion. Eight of these objects appear on this page. Can you supply their names? Choose from the list below and write the name in the appropriate place. Then, try to decide what each object is used for or what it represents. Cut out the explanations and paste or tape them where they belong.

*r. Grunder is a catechist and freelance writer in Dayton, OH.*



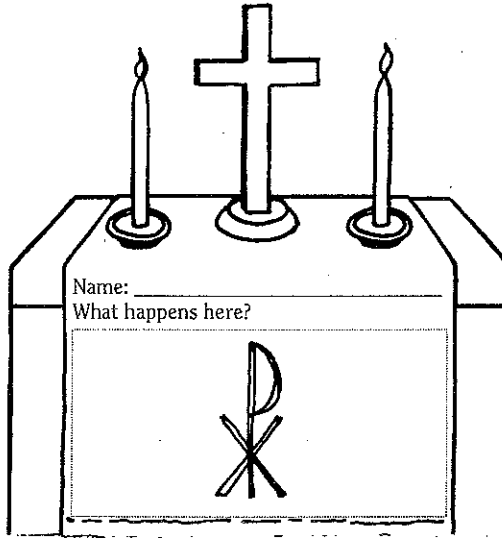
Name: \_\_\_\_\_  
What is it for?



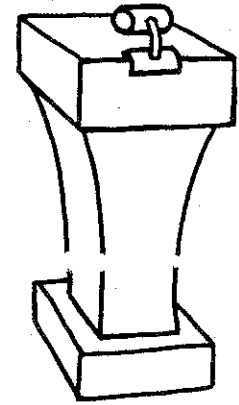
Name: \_\_\_\_\_  
Who gathers here?



Name: \_\_\_\_\_  
What does it stand for?

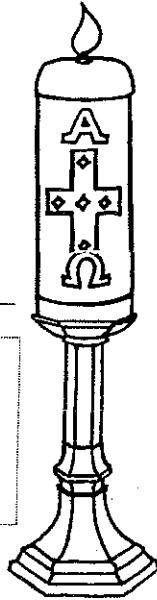


Name: \_\_\_\_\_  
What happens here?

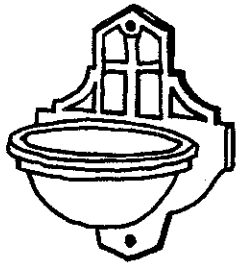


Name: \_\_\_\_\_  
What is it for?

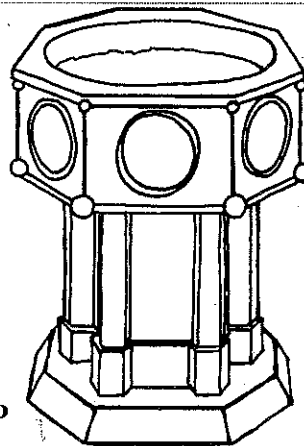
Name: \_\_\_\_\_  
Whom does it stand for?



Name: \_\_\_\_\_  
What happens here?



Name: \_\_\_\_\_  
What is it for?



### Choose names from this list:

- Tabernacle
- Paschal Candle
- Altar
- Lectern
- Organ
- Statue
- Baptismal Font
- Holy Water Font

## CHOOSE EXPLANATIONS FROM THIS GROUP

<p>New members of the Church, including infants, are brought here to be baptized.</p>	<p>This is where the priest stands as he celebrates Mass with the community. Here he says the words of consecration that bring us together in the Body and Blood of Jesus.</p>	<p>These represent holy people who have gone ahead of us to be with God. We ask the people these statues represent to carry our prayers to God.</p>	<p>It is lit for the first time at the Easter Vigil as a sign of Jesus, the Light of the World. After the Easter season, it is lit for baptisms and funerals.</p>
<p>The choir gathers here to lead the community in singing. What other instruments are used in your church?</p>	<p>This is a podium used for reading Scripture, as well as for leading song, and making announcements.</p>	<p>When Catholics enter church, they dip their fingers into holy water and make the Sign of the Cross. These actions remind us of our baptism into God's family and the mystery of the Trinity.</p>	<p>This cabinet, which is often made of a precious metal, is where the Blessed Sacrament is kept.</p>